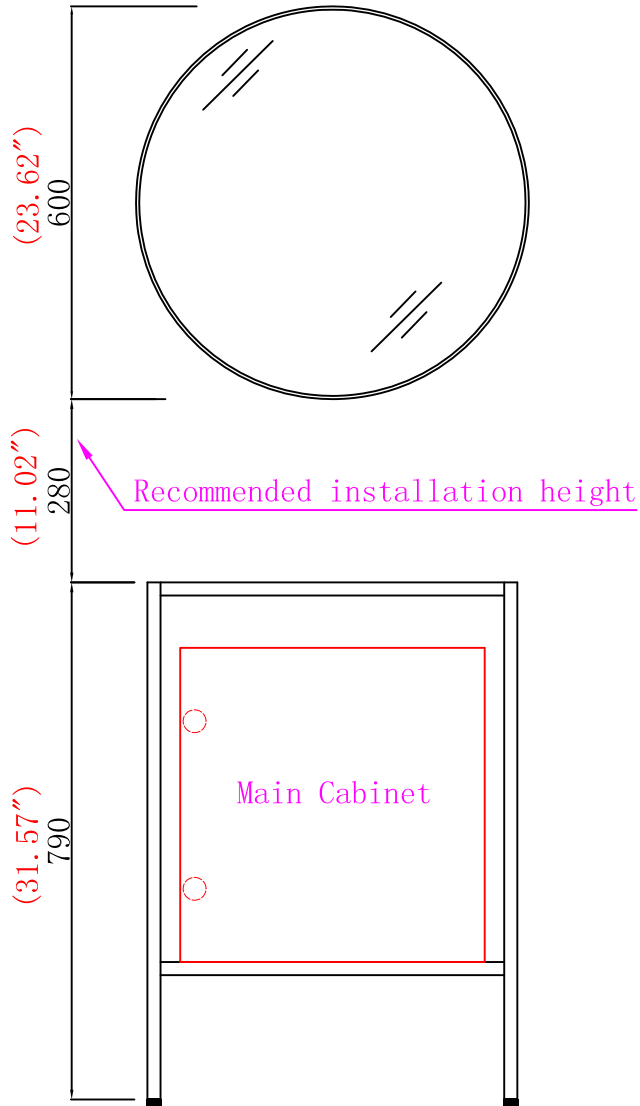




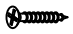


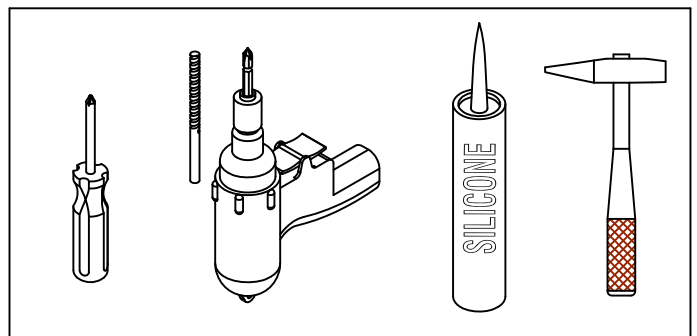
Item No. :RB24



## Hardware

NO.	Draw	QTY
A		6
B		6
C		6
D		1
F	 (3.5*60)	1

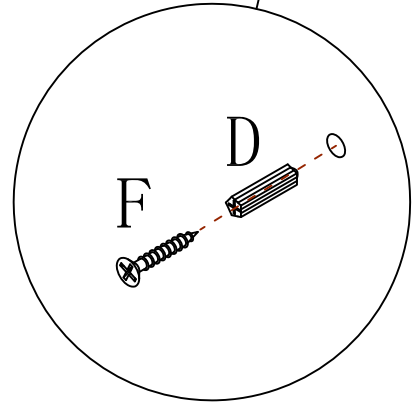
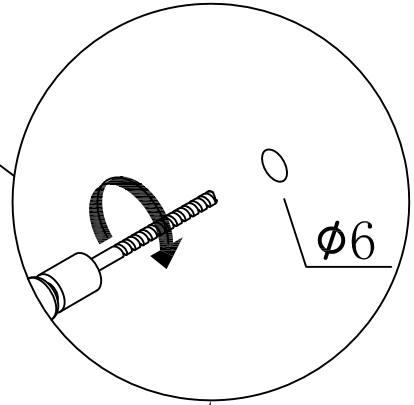
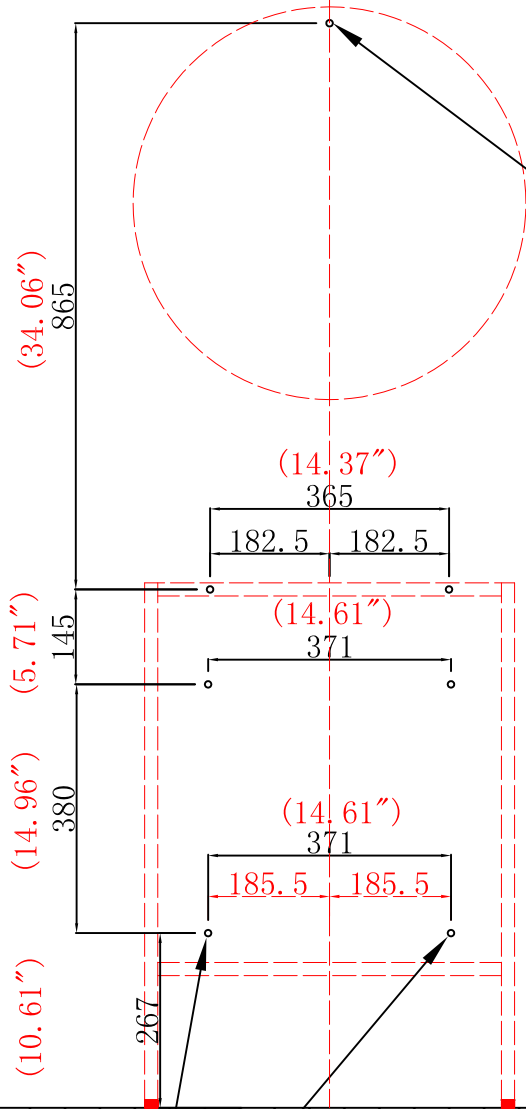
## Tools



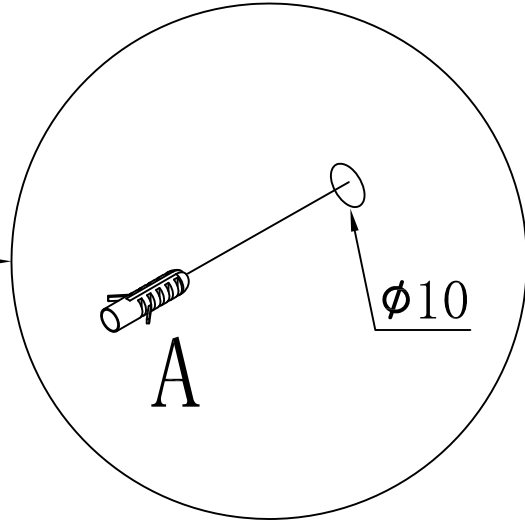
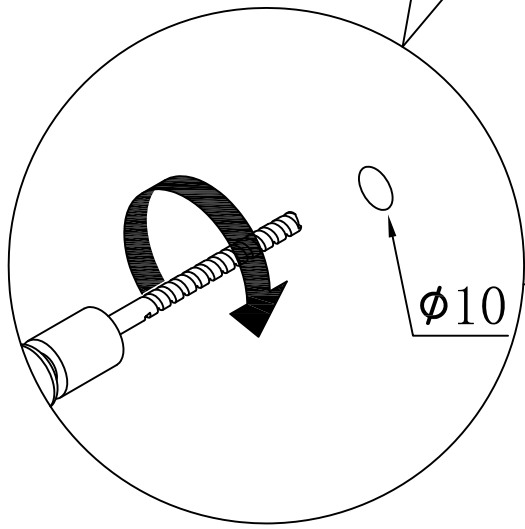
Step 1

WALL

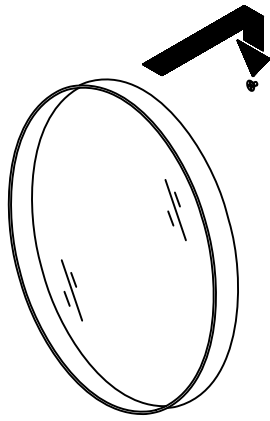
Center Line



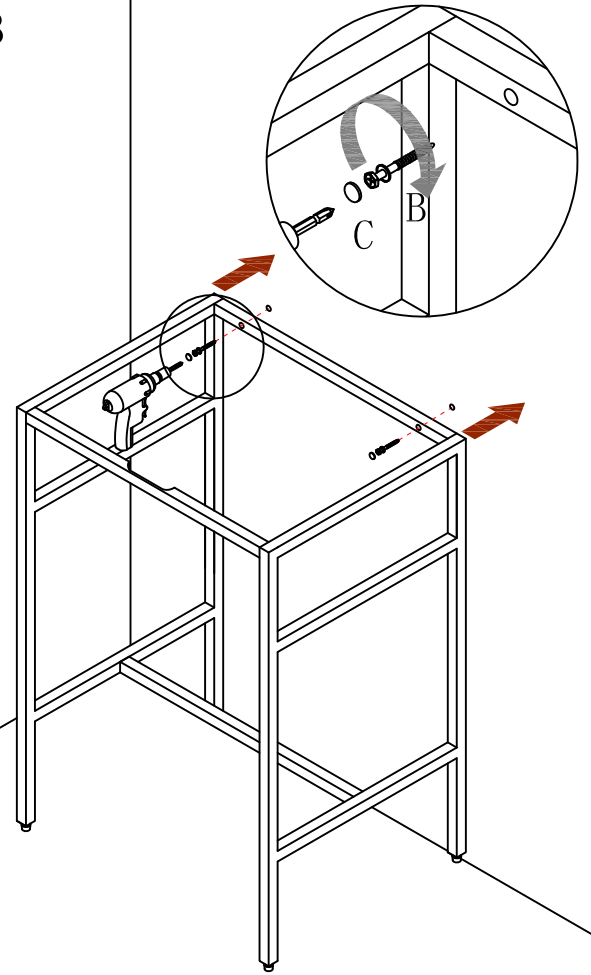
FLOOR



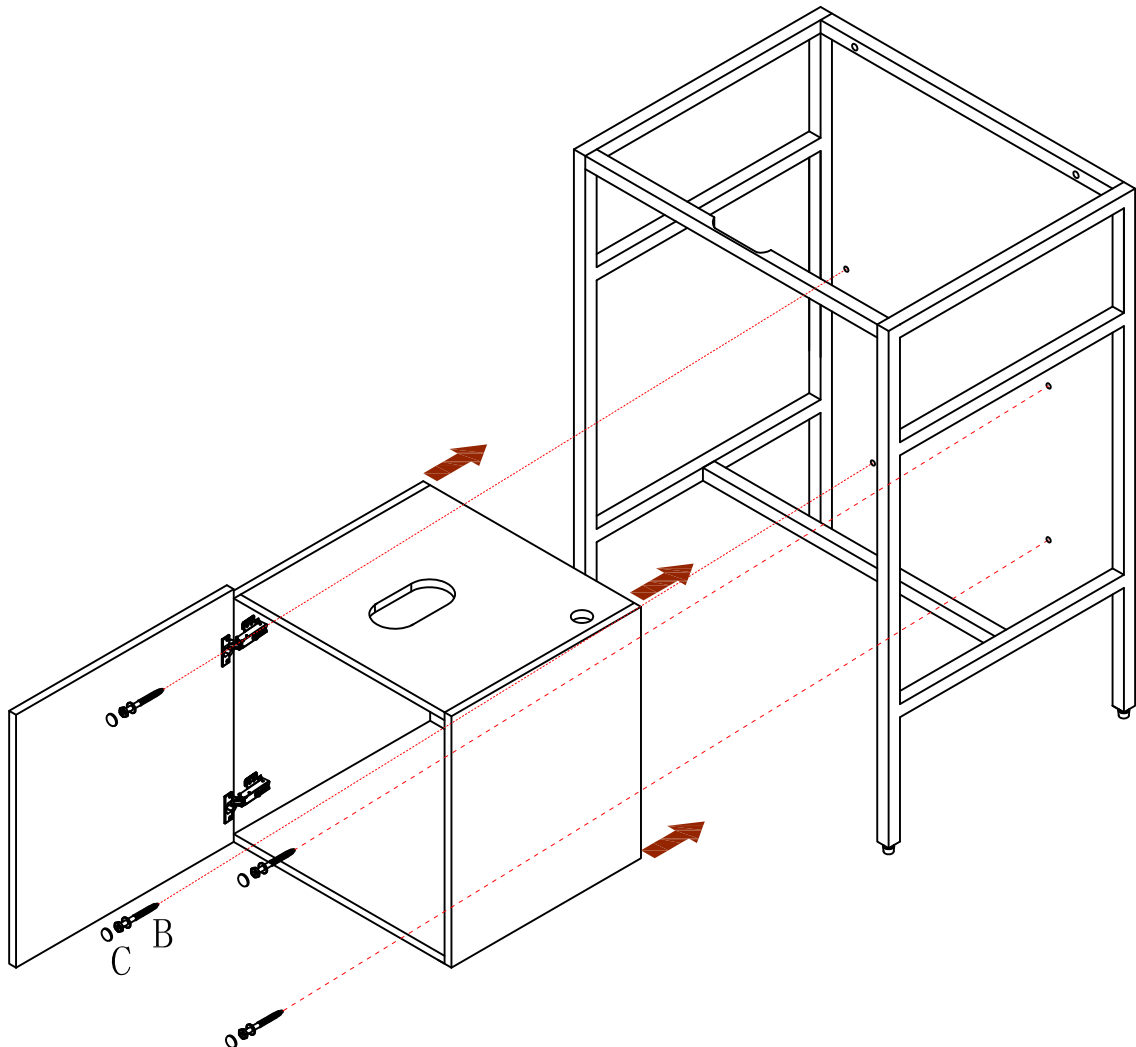
Step 2



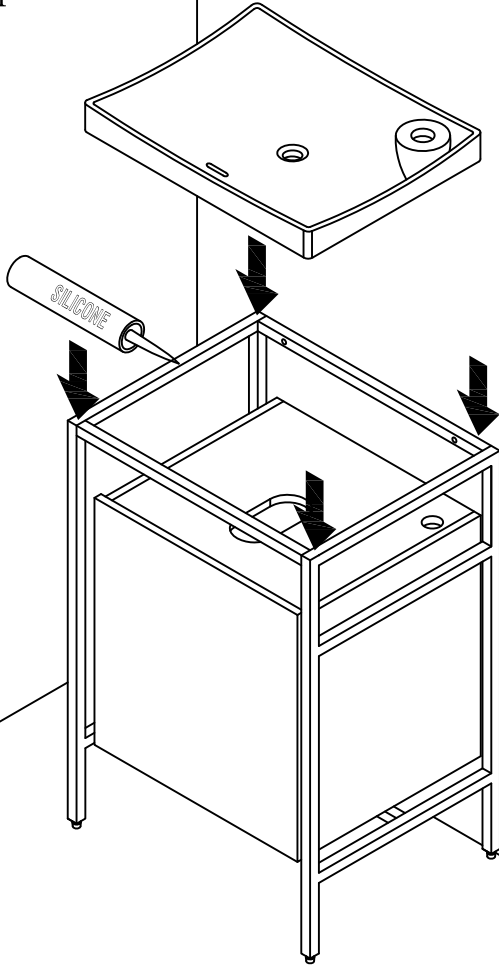
Step 3



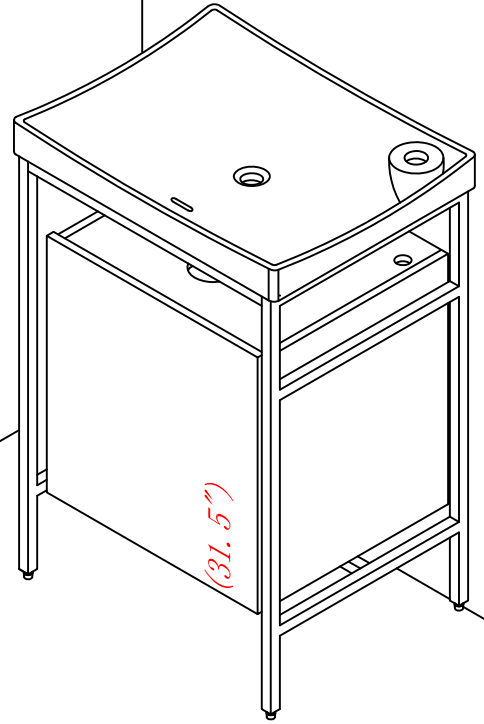
Step 4



Step 5



Step 6



Finished

